



## N female 2.4G 5.8G 6dBi Wifi Omni Fiberglass Antenna 20x350mm

Our Product Introduction

for more products please visit us on [leenzantenna.com](http://leenzantenna.com)

### Basic Information

- Place of Origin: China
- Brand Name: Leenz
- Certification: RoHs
- Model Number: LZANT-12255-A
- Minimum Order Quantity: 10
- Delivery Time: 15 days
- Payment Terms: T/T
- Supply Ability: 500 per day

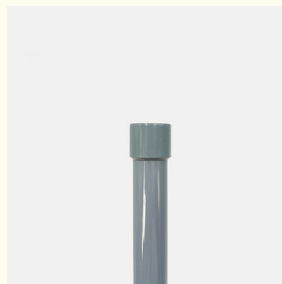


### Product Specification

- Frequency: 2400-2500/5150-5850MHz
- VSWR: <2.0
- Peak Gain: 6dBi
- Impedance: 50



### More Images



## Product Description

### 1. Specification

#### A. Electrical Characteristics

Frequency	2400-2500/5150-5850MHz
VSWR	< 2.0
Efficiency	≈66%
Peak Gain	4/6dBi
Impedance	50 Ohm
Polarization	Linear
Horizontal Beamwidth	360°
Vertical Beamwidth	20±5°
T90(H) roundness	±3
Max Power	50W

#### B. Material & Mechanical

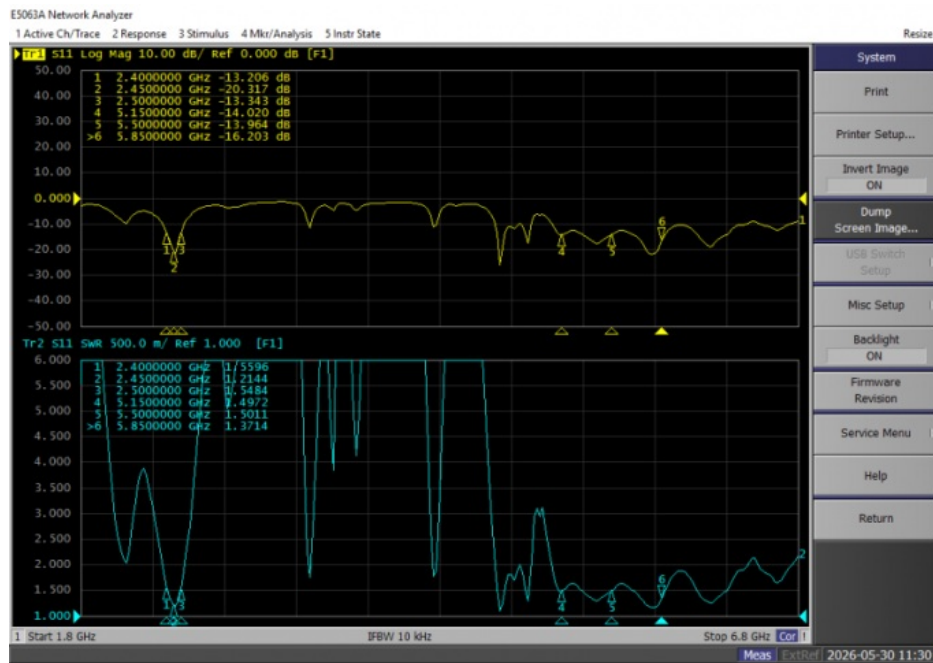
Connector Type	N-K
Dimension	Φ20*250±5mm
Weight	0.14Kg
Radome material	Fiberglass (Grey)

#### C. Environmental

Operation Temperature	- 45°C ~ +85 °C
Storage Temperature	- 45°C ~ +85 °C
Rated Wind Velocity	36.9m/s
Lighting Protection	Dc grounding

### 2. Antenna - S Parameter Test Data

#### 2.1 VSWR

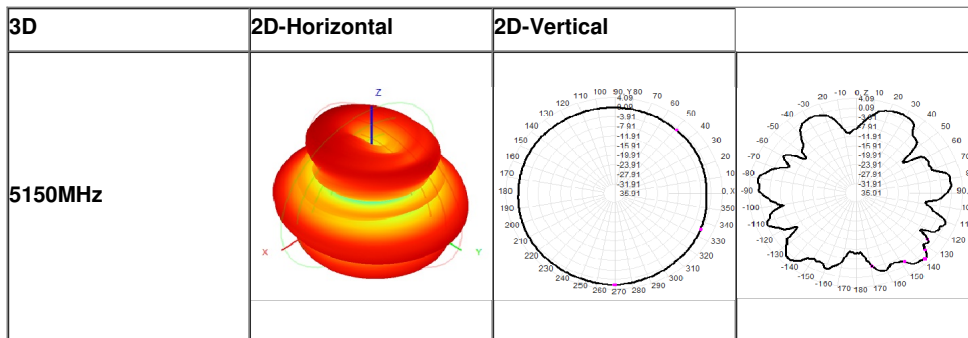
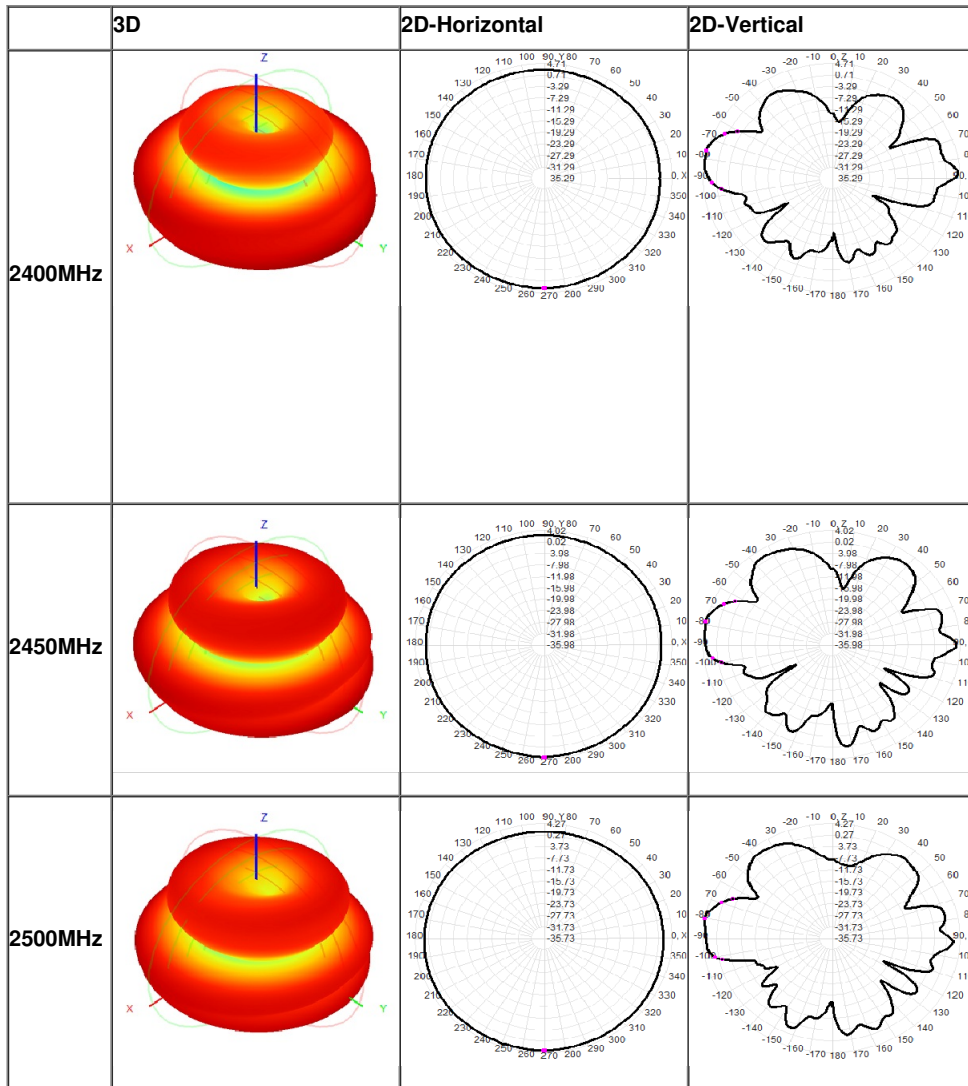


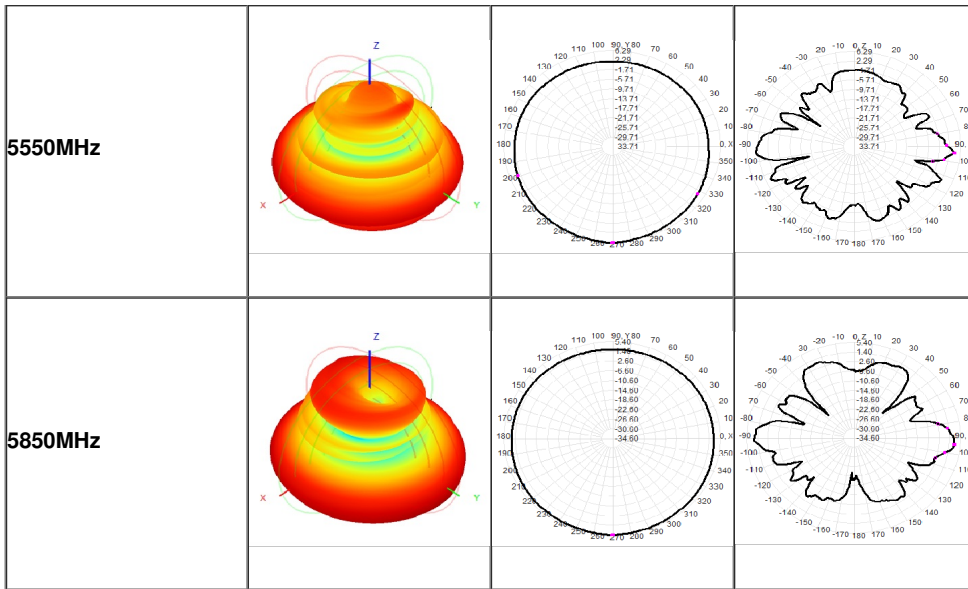
#### 2.2 Total Efficiency & Gain:

Frequency(MHz)	Gain(dBi)	Efficiency(%)	Frequency(MHz)	Gain(dBi)	Efficiency(%)
2400	4.7	64.1	5150	4.1	67.0
2410	4.7	65.9	5200	3.6	65.9
2420	4.7	67.5	5250	3.7	68.4
2430	4.4	65.6	5300	3.8	64.7
2440	4.6	66.6	5350	4.1	65.4
2450	4.0	64.5	5400	4.9	70.9
2460	4.3	66.8	5450	5.4	69.3
2470	4.3	66.1	5500	5.9	68.3
2480	4.3	67.3	5550	6.3	66.8
2490	4.1	64.4	5600	6.4	64.9
2500	4.3	66.6	5650	6.6	67.4

			5700	5.9	57.9
			5750	6.6	67.4
			5800	6.3	68.2
			5850	5.4	59.1

2.3 Radiation Pattern





**Dongguan Leenz Electronics Co., Ltd**



13711820037



joycewang@lzdz-tech.com



leenzantenna.com

2nd Floor, Building 1, Xinhe Industrial Park No. 162, Zhen'an East Road, Chang'an Town, Dongguan City, Guangdong Province